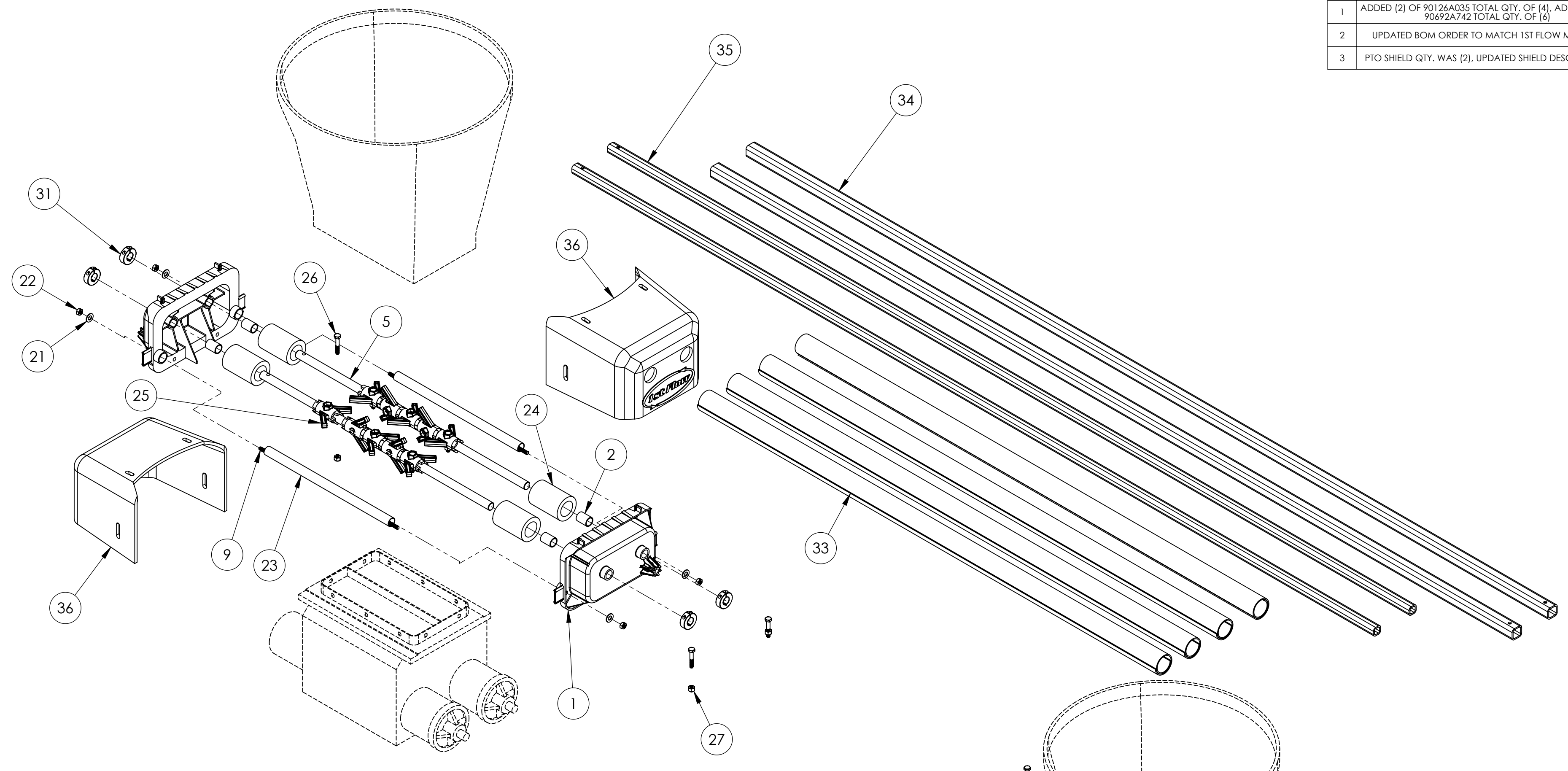


REVISIONS		
REV.	DESCRIPTION	DATE
1	ADDED (2) OF 90126A035 TOTAL QTY. OF (4), ADDED (2) OF 90692A742 TOTAL QTY. OF (6)	5/15/2014
2	UPDATED BOM ORDER TO MATCH 1ST FLOW MARK-UP	12/11/2014
3	PTO SHIELD QTY. WAS (2), UPDATED SHIELD DESCRIPTIONS	1/28/2015



\*\*LENGTHS OF ITEMS 34 & 35 ARE DETERMINED AT TIME OF INSTALLATION

ITEM NO.	PART NUMBER	DESCRIPTION	QTY.
1	END PLATE - REV 4	GUTTENBERG INDUSTRIES	2
2	9368T31	BRONZE SLEEVE BEARING	4
5	Auger Shaft	5/8" AUGER SHAFT	2
9	98935A205	ACME, THREAD ROD, 1/4-16 X 14.50 (6FT)	2
21	91083A030	WASHER, 5/16 SAE	4
22	94815A007	NUT, ACME, 1/4-16 RH	4
23	7126K1	EMT, 1/2 X 13.00 (10FT LENGTH)	2
24	4463K126	TUBE, FOAM, 1-1/8" ID X 3/8" WALL (6FT)	4
25	Small Auger Section-2	GUTTENBERG INDUSTRIES	10
26	91247A546	BOLT, HEXHD, 1/4-20 X 1.50 (PARTIAL THREAD)	8
27	90640A129	NUT, HEX NYLON LOCK, 1/4-20	8
31	6435K15	COLLAR, CLAMP, 5/8" SHAFT	4
33	PTO Shield	Seagate Plastics - SG250NC	4
34	AQT1.00F	1.00 TELESCOPING ALUMINUM TUBE	2
35	AQT.750F	.75 TELESCOPING ALUMINUM TUBE	2
36	THERMOFORMED SHIELD - 1/2 SHIELD W/HOLES	PRAIRIE PLASTICS	2

SHIELD HIDDEN FOR CLARITY

**PROPRIETARY AND CONFIDENTIAL**  
 THE INFORMATION CONTAINED IN THIS DRAWING IS THE SOLE PROPERTY OF <INSERT COMPANY NAME HERE>. ANY REPRODUCTION IN PART OR AS A WHOLE WITHOUT THE WRITTEN PERMISSION OF <INSERT COMPANY NAME HERE> IS PROHIBITED.

UNLESS OTHERWISE SPECIFIED:		NAME	DATE
DIMENSIONS ARE IN INCHES		DRAWN	
TOLERANCES:		CHECKED	
FRACTIONAL ±		ENG APPR.	
ANGULAR: MACH ±		MFG APPR.	
BEND ±		Q.A.	
TWO PLACE DECIMAL ±		COMMENTS:	
THREE PLACE DECIMAL ±			
MATERIAL		TITLE: <b>EXTENSION KIT</b>	
FINISH		SIZE	DWG. NO.
NEXT ASSY		<b>C</b>	<b>KIT-3</b>
USED ON		REV	<b>3</b>
APPLICATION		SCALE: 1:6	WEIGHT:
DO NOT SCALE DRAWING		SHEET 1 OF 1	